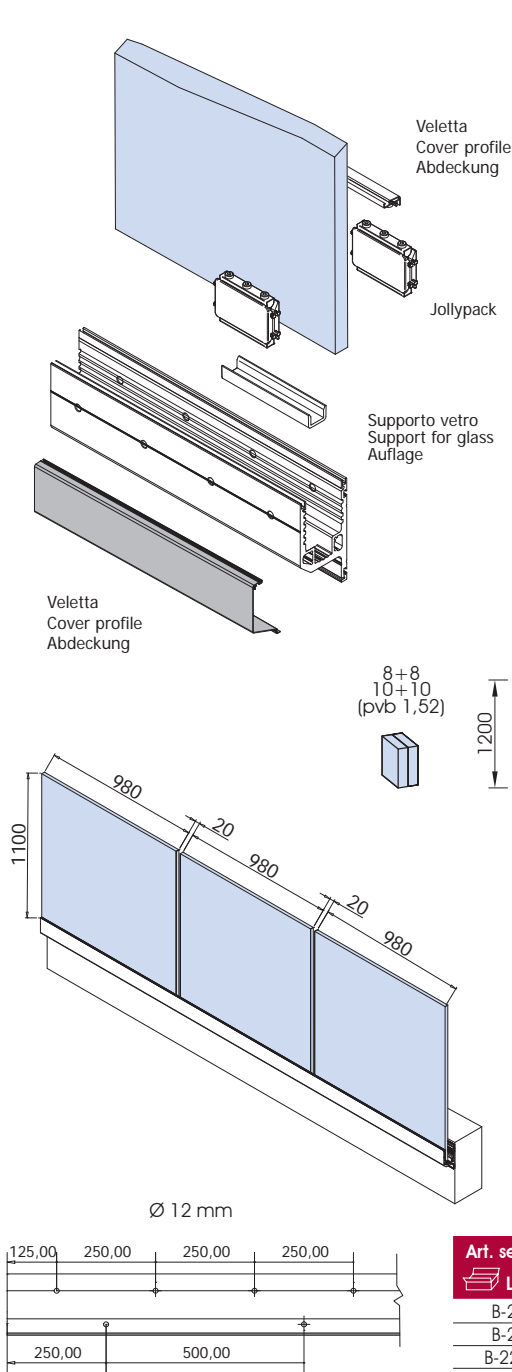
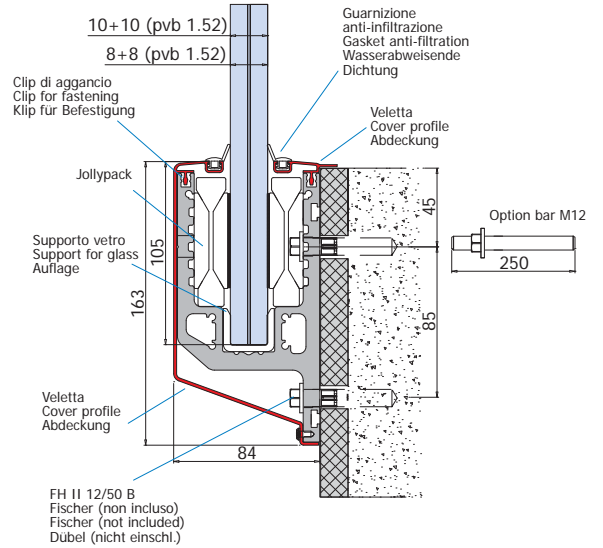


# B-2200 Climb Jolly Pack laterale

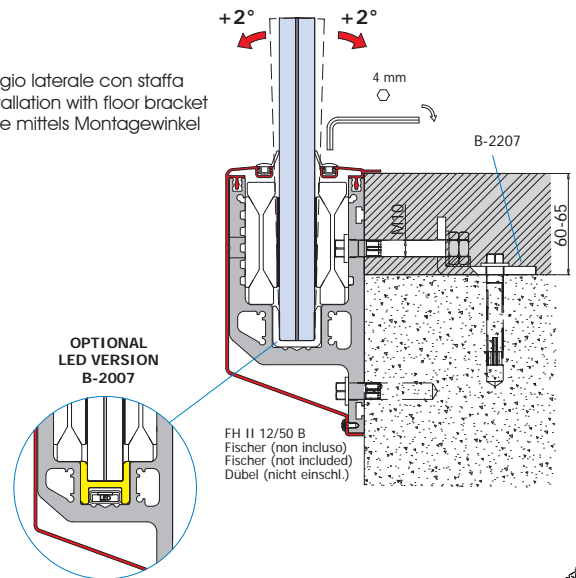
Balaustra a montaggio laterale, regolabile. Optional supporti LED.  
Adjustable railing system, side installation. Optional LED supports.  
Verstellbares Railing System Wandmontage. Optional LED Auflage.



Montaggio laterale  
Side installation  
Wandmontage



Montaggio laterale con staffa  
Side installation with floor bracket  
Montage mittels Montagewinkel

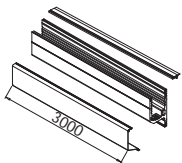


OPTIONAL  
LED VERSION  
B-2007

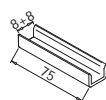
Art. set complete/Mt L-3000 mm	Vetro Glass Glas	Morsetti/ml Clamps/mt Klemmbeschläge/fm	Testato spinta Test side force Getestet Seitenkraft	Jolly pack MINI
B-2200 2KN 10	10+10 1.52 pvb	4	200 kg	*
B-2200 3KN 10	10+10 1.52 pvb	6	300 kg	
B-2200 4,5KN 12	12+12 1.52 pvb	10	450 kg	

\* Page 93

**B-2200**  
Profilo balaustra e velette L-3000 mm  
Railing profile with cover profiles L-3000 mm  
Profil für Geländer mit Abdeckungen L-3000 mm



**B-2004 set**



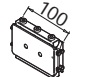
6 pcs  
8+8



6 pcs  
10+10

2 pcs x 1000 mm

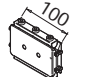
**B-2002 set**



12 pcs

4 pcs x 1000 mm

**B-2003 set**

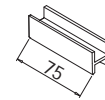


18 pcs

6 pcs x 1000 mm

**B-2007 set**

Set optional supporto trasparente con sede per LED  
Set optional transparent supports for LED  
Set optional Klar Auflage für LED

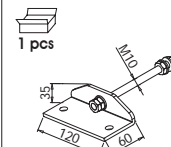


6 pcs  
8+8  
10+10

2 pcs x 1000 mm

**B-2207**

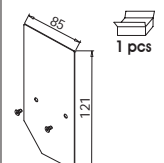
Staffa per fissaggio profilo balaustra B-2200.  
Mounting block for profile B-2200  
Montagewinkel für Profil B-2200



1 pcs

**B-2206**

Tappo di chiusura laterale.  
Endcap.  
Endkappe.



1 pcs

AN = Alluminio anodizzato  
Aluminium anodized  
Aluminium Silberfarbig

Le balaustrate per rispettare la resistenza alla spinta devono essere fissate su cemento armato CLS.  
Balustrades to comply with the side resistance must be fixed on reinforced concrete.  
Um den Seitenkräften Widerstand entgegenzusetzen müssen die Balustraden auf Stahlbeton befestigt werden.

xme 286G / xme 286H

