

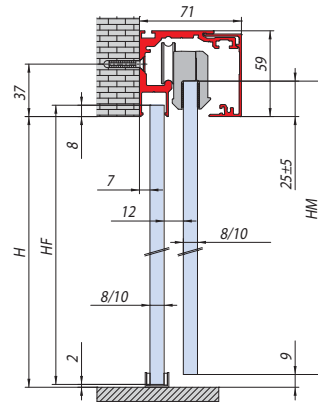
Evolution Mini Soft-close V-5403



Con vetro fisso
With fixed glass
Mit Seitenteil



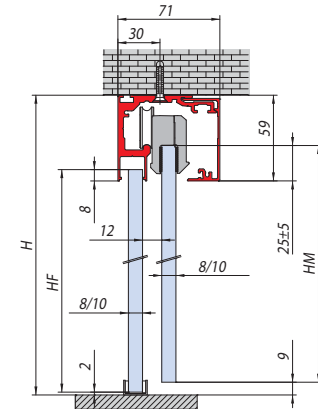
Montaggio a parete
Wall installation
Wandmontage



$$HM = H + 16$$

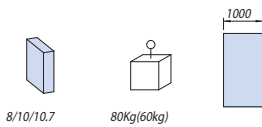
$$HF = H + 16$$

Montaggio a soffitto
Ceiling installation
Deckenmontage

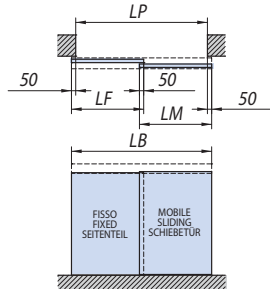
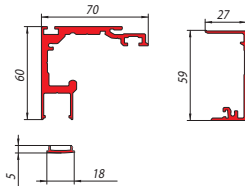


$$HM = H - 44$$

$$HF = H - 54$$

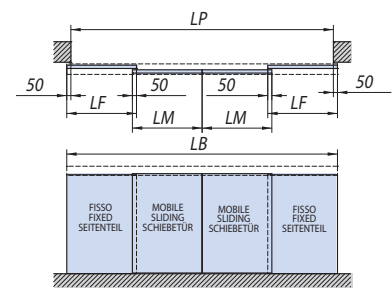


V-5403



$$LB = LP + 100$$

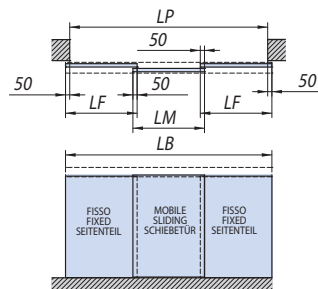
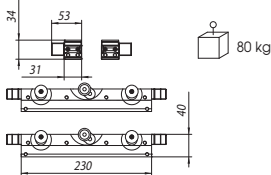
$$LM/LF = (LP + 150) 2$$



$$LB = LP + 100$$

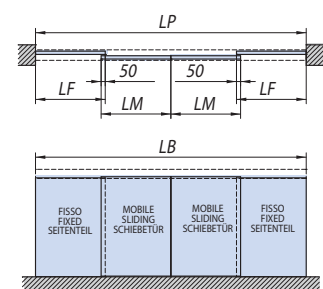
$$LM/LF = (LP + 200) 4$$

V-5402



$$LB = LP + 100$$

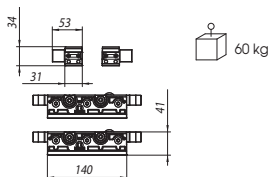
$$LM/LF = (LP + 200) 3$$



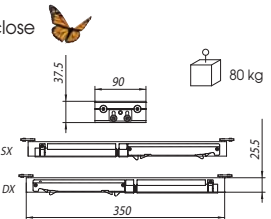
$$LB = LP$$

$$LM/LF = (LP + 100) 4$$

V-5452



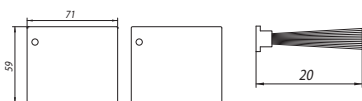
V-5406 Soft-close



$$LB = LP$$

$$LM/LF = (LP + 50) 2$$

V-5411



V-5408 (optional)

$$LB = LP$$

$$LM/LF = (LP + 100) 3$$

AN = Alluminio anodizzato
Aluminium anodized
Aluminium Silberfarbig
IX = Effetto inox
Inox effect
Inox effekt

H = Altezza passaggio luce
Clear opening height
Lichte Höhe
LP = Passaggio luce
Clear opening width
Lichte Breite

HM = Altezza anta mobile
Sliding glass height
Schiebefügel Höhe
LM = Larghezza vetro
Glass width
Glasbreite

LB = Lunghezza binario
Rail length
Laufschienelänge
HF = Altezza anta fissa
Side fixed glass height
Seitenteil Höhe

xia340c

